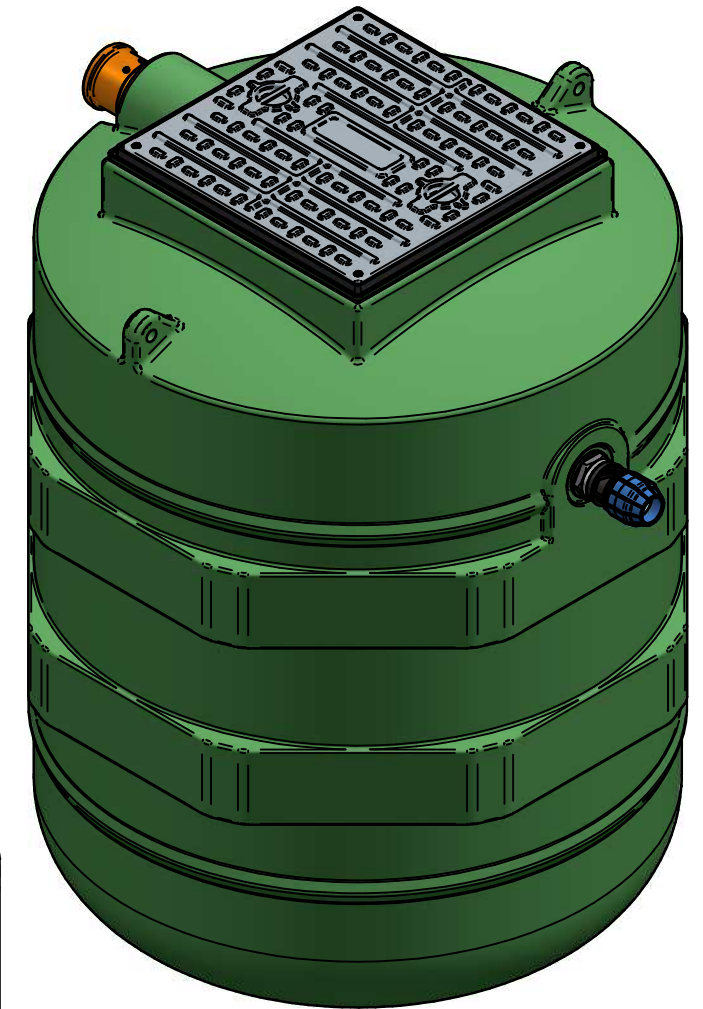
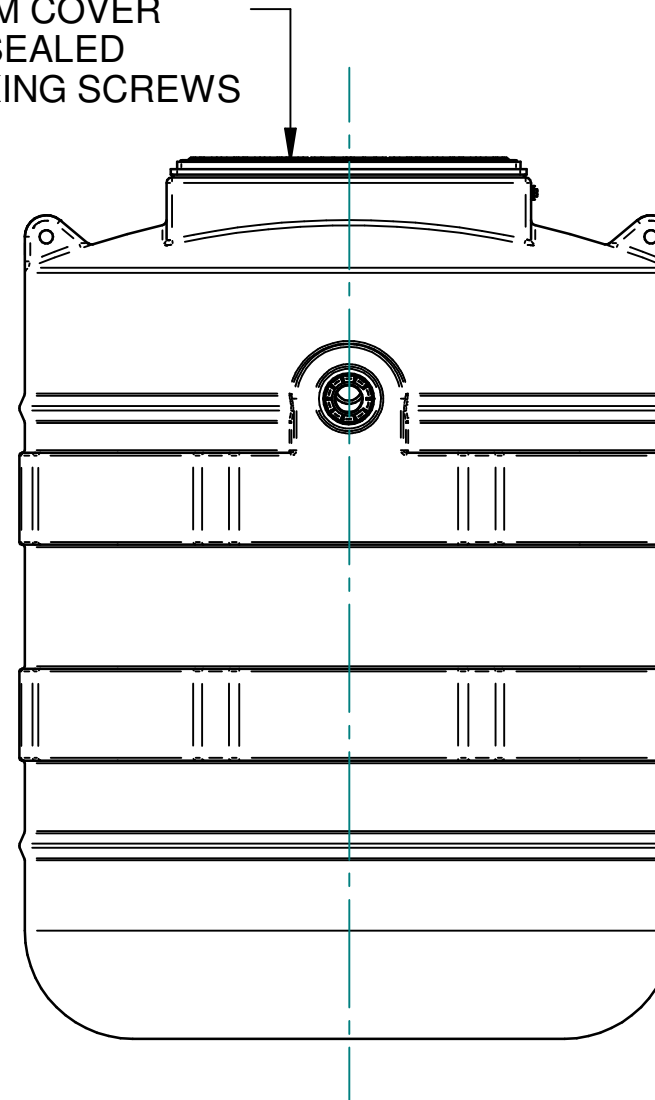


600x600MM COVER  
DOUBLE SEALED  
C/W LOCKING SCREWS



Available in single or twin pump configurations for rain water, effluent or sewage

Revision	Issue Date	ECN Reference

THE INFORMATION, DATA, AND DRAWINGS EMBODIED IN THIS DOCUMENT ARE STRICTLY CONFIDENTIAL AND ARE SUPPLIED WITH THE UNDERSTANDING THAT THEY WILL NOT BE DISCLOSED TO ANY THIRD PARTIES WITHOUT THE PRIOR WRITTEN CONSENT OF HARLEQUIN MANUFACTURING LTD  
**COPYRIGHT Sole property of Harlequin Manufacturing Ltd All rights reserved**

UNLESS OTHERWISE SPECIFIED: DIMENSIONS ARE IN MM  
 LINEAR TOLERANCE ± 0.25mm, ANGLES ±0.5°  
 DO NOT SCALE DRAWING - Use Figure Dimensions Only  
 IF IN DOUBT, ASK

TITLE: **1550LT Pump Station**  
 NOTES:

DWG NO: 17-004-001	ISSUE DATE: 01/09/2020
REVISION: 00	DRAWN BY: RC
SHEET: 1 of 1	
FILE NAME: 1550LT Pump Station.dft	

**Harlequin**  
 MANUFACTURING FOR TOMORROW

Harlequin Manufacturing Ltd  
 21 Clarehill Road  
 Moira  
 Co. Armagh  
 BT67 0PB  
 www.harlequin-mfg.com